

24W Street light

DATA SHEET



1. Applications :

Area: Outdoor

Purpose: Alley Lighting. Park Lighting. Solar Lighting. Street Lighting.

Features:

(1) Optical

Batwing beam patterns design with IESNA classification of type II, short and cut-off. The pole pitch is up to 4 mounting height with uniform illuminance distribution.

(2) Power

Switching mode and multiple channel constant current design to drive the individual LEDs series connected circuit to ensure LED constant current loading. Over-heat and –voltage protection designs, self-thermal compensation ensured LED life. DC to DC power efficiency can reach 89%.

(3) Thermal

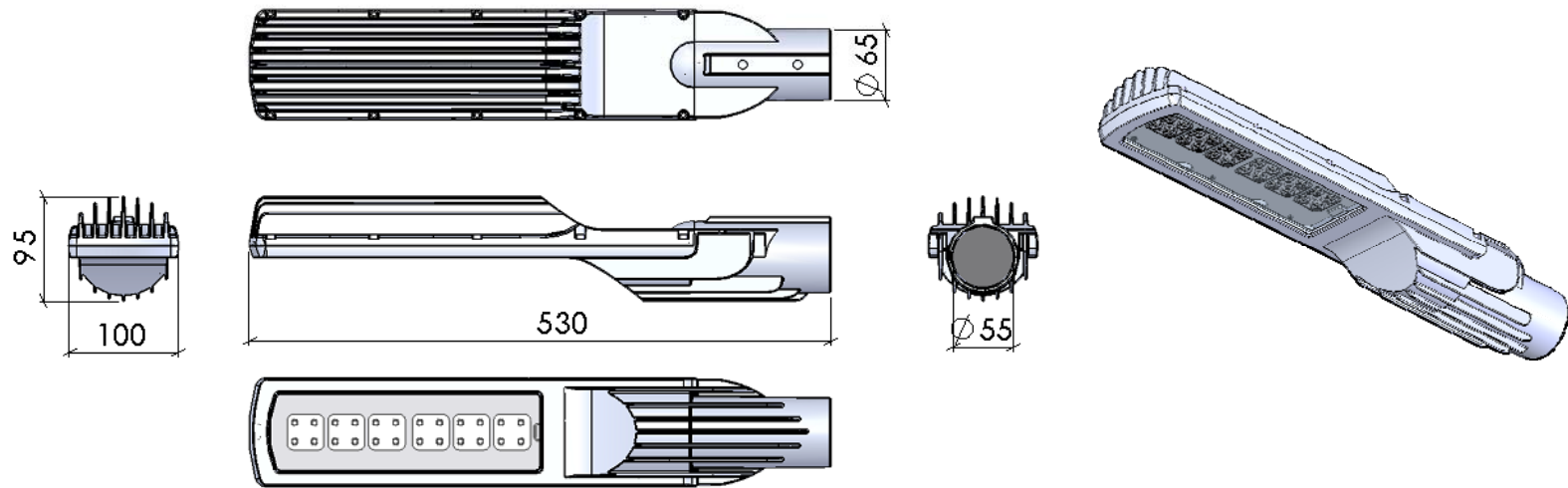
Optimal thermal design of the luminaire and surface temperature to achieve $55^{\circ}\text{C}@30^{\circ}\text{C}$ ambient and still air condition, 2°C temperature variation on sink base and LED junction temperature is controlled below 70°C . Overheat protection design, the LED current self- adjusted as sink base temperature reaches 70°C .

(4) Luminaire efficacy

Super high brightness, the total luminaire efficacy achieves 74.5 lm/W (not including AC to DC circuit power consumption).

2. Specifications:

Outline Dim.: 550 (L) x 100 (W) X 95 (H) mm



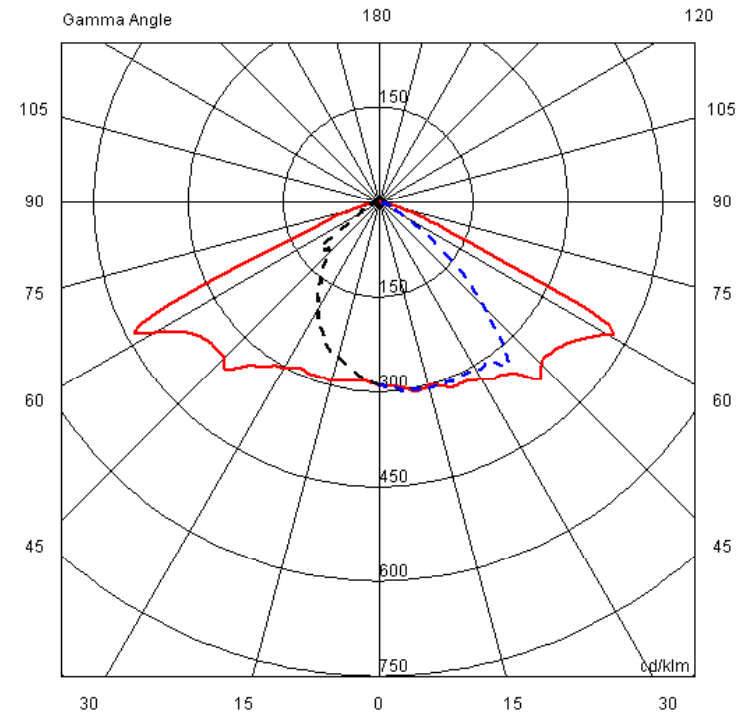
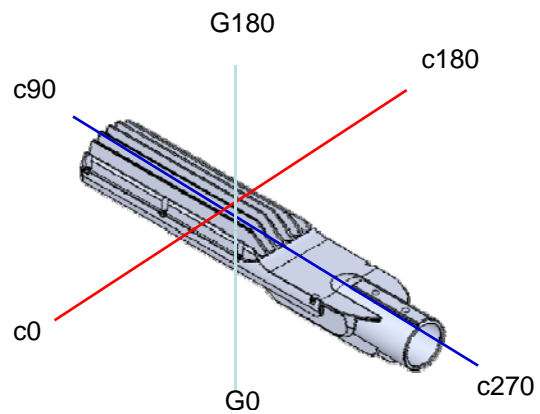
LED Light Source : Nichia 083(BT) x 24 ea
Color Temp.: 5200±400K/ 3000±300K
Input Voltage: 12Vdc or 24Vdc
Total lumen: 1789/ 1430 lm
Total Power: 26W
Operation Temp : -30°C~50°C
IP Rating: IP65
Net Weight: 2.1kg
Hole size (Max. Diameter): < 55mm

3. Packaging information :

Packing: 1pcs. / box		
Box	655x160x150(mm)	2.8 kg

4. Optical performance :

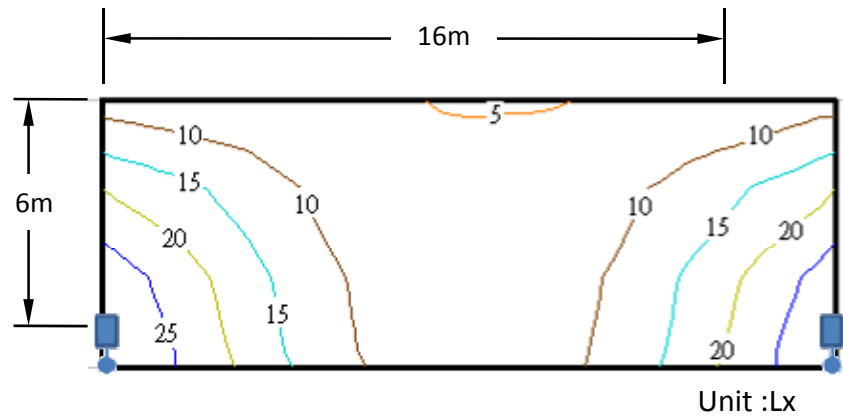
Color Temp.	Model Number	Output Lumens(Typ.)
5200± 400K	5 ? PL52BH	1789
3000± 300K	5 ? PL32BH	1430



Roadway Surface illuminance distribution at 4m Height

Road width: 6 m
Pole pitch : 16 m
Mounting height : 4 m
Install inclined angle : 15 degree

30Watt, 1789 Lm, 5200K	
Max.	27 Lx
Avg.	13 Lx
Min.	5.4 Lx
Uniformity (Min./Avg.)	0.43



 : Luminaire

5. Safety warning :

- Make sure the installed pole size is small than the street light hole size.
- Don't apply a voltage, which is higher than 24Vdc source.
- Don't drop or impact the product during installation process.
- To guarantee the IP 65 level, please make sure the handy screw bolt is tight after installation or maintenance process.
- Make sure the M10 metal screw has screw-down the lighting luminaire and pole.

6. Installation guide :

- Connect the power cables of external power supply (Adapter or Battery) DC output and luminaire output, see below figure, the cables are no polarity limitation.
- Before insert the pole head into the luminaire hole, the power source cable and luminaire's cable has to make sure they are connected well.
- Insert the pole into the luminaire hole and adjust the luminaire to a correct angle, and then using M10 metal screw to screw-down the lighting luminaire.

7. Estimated life time : 50,000 hours

